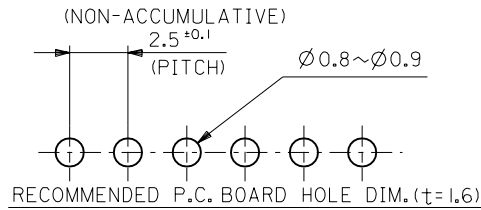
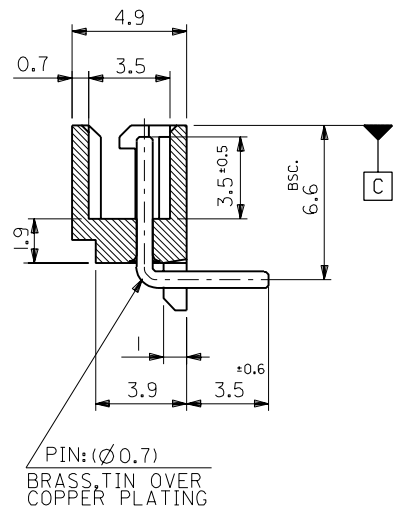
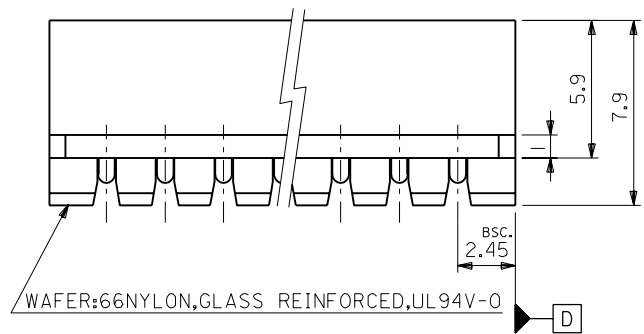


NOTE:
 I.MATES WITH : 5264 SERIES.



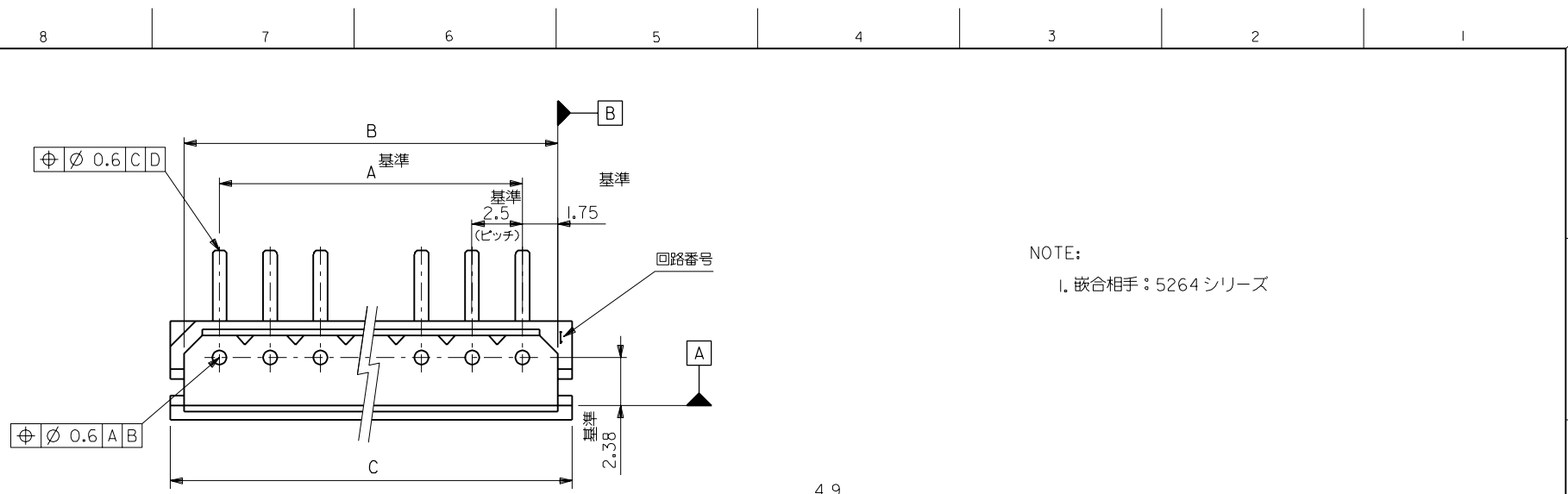
| | | | | | |
|------|------|------|------------|----------|------|
| 52.4 | 51 | 47.5 | 22-05-7205 | 5268-20A | 20 |
| 49.9 | 48.5 | 45 | -7195 | -19A | 19 |
| 47.4 | 46 | 42.5 | -7185 | -18A | 18 |
| 44.9 | 43.5 | 40 | -7175 | -17A | 17 |
| 42.4 | 41 | 37.5 | -7165 | -16A | 16 |
| 39.9 | 38.5 | 35 | -7155 | -15A | 15 |
| 37.4 | 36 | 32.5 | -7145 | -14A | 14 |
| 34.9 | 33.5 | 30 | -7135 | -13A | 13 |
| 32.4 | 31 | 27.5 | -7125 | -12A | 12 |
| 29.9 | 28.5 | 25 | -7115 | -11A | 11 |
| 27.4 | 26 | 22.5 | -7105 | -10A | 10 |
| 24.9 | 23.5 | 20 | -7095 | -09A | 9 |
| 22.4 | 21 | 17.5 | -7085 | -08A | 8 |
| 19.9 | 18.5 | 15 | -7075 | -07A | 7 |
| 17.4 | 16 | 12.5 | -7065 | -06A | 6 |
| 14.9 | 13.5 | 10 | -7055 | -05A | 5 |
| 12.4 | 11 | 7.5 | -7045 | -04A | 4 |
| 9.9 | 8.5 | 5 | -7035 | -03A | 3 |
| 7.4 | 6 | 2.5 | 22-05-7025 | 5268-02A | 2 |
| C | B | A | EDP NO. | ENG.NO. | CKT. |

| | | | | | | | | | | |
|-------------------------|---------------|---|---------------------------|----------------------|----------|---------|--|--------------------------|--------------------|--------------------------------------|
| 角度 ANGLE | $\pm 3^\circ$ | | | | | | | 材料 MATERIAL | — / — | MOLEX-JAPAN CO.,LTD. 日本モレックス株式会社 |
| 30以上 OVER | $+0.3$ | | | | | | | 仕上げ FINISH | — / — | |
| 10以上 OVER 30 未満 UNDER | $+0.25$ | C | REVISED & REDRAWN (J1059) | H.H. | 9/11/5 | | | 適用電線範囲 WIRE RANGE | — / — | 22-05-7**5 |
| 10 未満 UNDER | $+0.2$ | | 記号 LTR | 変更内容 REVISION RECORD | DR. CHK. | 日付 DATE | | 被覆外径 INS. RANGE | — / — | ENG. NO. |
| 一般公差 GENERAL TOLERANCES | | | | | | | | DRAWN BY K.TOJO '91/11/5 | CHK'D BY '92/08/31 | SD-5268-NA |
| | | | | | | | | APP'D BY '92/08/31 | M.ENOMOTO | REV C |
| | | | | | | | | 尺度 SCALE | 5-1 | TITLE 名称 |
| | | | | | | | | | | 2.5 LOW PROFILE WAFER ASS'Y 90° BEND |

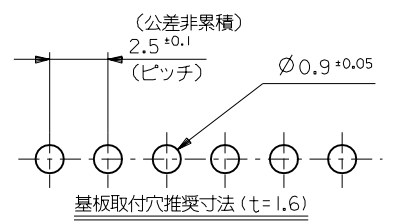
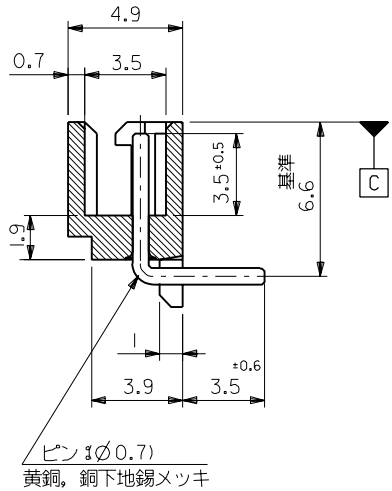
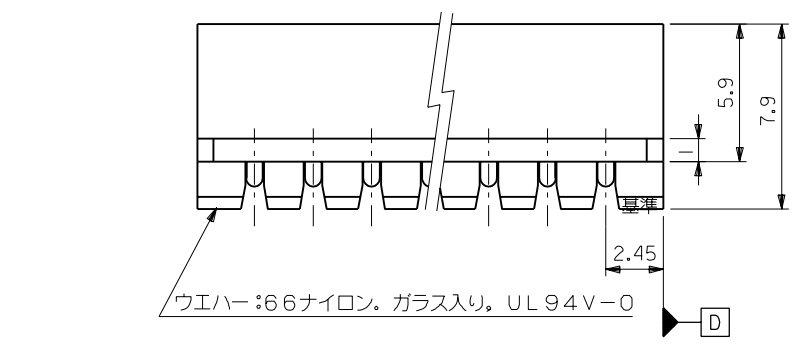
ENG. NO. SD-5268-NA

EDP NO. 22-05-7**5

MM DIMENSIONS IN METRIC DO NOT SCALE DRAWING



NOTE:
1. 嵌合相手: 5264 シリーズ



| | | | | | |
|------|------|------|------------|----------|----|
| 39.9 | 38.5 | 35 | 22-05-7155 | 5268-15A | 15 |
| 37.4 | 36 | 32.5 | -7145 | -14A | 14 |
| 34.9 | 33.5 | 30 | -7135 | -13A | 13 |
| 32.4 | 31 | 27.5 | -7125 | -12A | 12 |
| 29.9 | 28.5 | 25 | -7115 | -11A | 11 |
| 27.4 | 26 | 22.5 | -7105 | -10A | 10 |
| 24.9 | 23.5 | 20 | -7095 | -09A | 9 |
| 22.4 | 21 | 17.5 | -7085 | -08A | 8 |
| 19.9 | 18.5 | 15 | -7075 | -07A | 7 |
| 17.4 | 16 | 12.5 | -7065 | -06A | 6 |
| 14.9 | 13.5 | 10 | -7055 | -05A | 5 |
| 12.4 | 11 | 7.5 | -7045 | -04A | 4 |
| 9.9 | 8.5 | 5 | -7035 | -03A | 3 |
| 7.4 | 6 | 2.5 | 22-05-7025 | 5268-02A | 2 |
| C | B | A | EDP NO. | ENG.NO. | 極数 |

| | |
|-------------------------|-------|
| 角度 ANGLE | +3° |
| 30 以上 OVER | +0.3 |
| 10 以上 30 未満 UNDER | +0.25 |
| 10 未満 UNDER | +0.2 |
| 一般公差 GENERAL TOLERANCES | |

| | |
|--------------------------|--------------------|
| 材料 MATERIAL | |
| 仕上げ FINISH | |
| 適用電線範囲 WIRE RANGE | |
| 被覆外径 INS. RANGE | |
| DRAWN BY K.TOJO '91/7/26 | CHK'D BY '92/08/31 |
| APP'D BY '92/08/31 | M.ENOMOTO |

| | |
|---|------------|
| MOLEX-JAPAN CO.,LTD. 日本モレックス株式会社 | |
| EDP. NO. | 22-05-7**5 |
| ENG. NO. | SD-5268-NA |
| REV | C |
| TITLE 名称 2.5 LOW PROFILE WAFER ASS'Y 90° BEND | |

THIS DRAWING CONTAINS INFORMATION THAT IS PROPRIETARY TO MOLEX(JAPAN) AND SHOULD NOT BE USED WITHOUT WRITTEN PERMISSION
本図面は日本モレックス(株)の所有する情報を含むもので 当社の許可なく複製を禁止する。

MXJ-8

5268.330 A